



## Anderson DOX™ Dry Expander

**8" Diameter Model  
Nominal Capacity 50 MT/24 HR DAY**

---

**Applications:**.....The Soybean Processing Industry is experiencing new process versatility through Anderson's DOX™, Dry Expander.

It produces high quality full-fat soy meal through high temperature/short time cooking, inactivating urease enzyme and trypsin inhibitor.

It shears soybean oil cells, thus increasing Expeller® press extraction capacity to 200%, and allowing the production of controlled fat content soy meal.

And, provides the processor with high quality soybean oil.

**Advantages:**.....Anderson's DOX™, Dry Expander, is a continuous mechanical cooking device capable of fully cooking whole or dehulled soybeans in 20-30 seconds. This Means:

- Energy savings – through the use of mechanical working and shearing energy (no need for boilers, water system, and jacketed vessels).
- Space savings – no boiler, jacketed vessels or related conveyors. Instead, a DOX™ Expander with a length of 12', width of 3½', and height of 4'.
- Low maintenance costs – Anderson's 40 years of Expander design and metallurgy experience assures months of wear life on material contact components, providing long-term continuous operation.

Anderson International Corp®, 6200 Harvard Avenue, Cleveland, Ohio 44105

Phone: (216) 641-1112 • Telex: 98-0259 • FAX: (216) 641-0709

---

## Anderson 8" DOX™, Dry Expander

**Products:**.....Soybeans for full fat production and/or oil extraction

**Operation:**.....The Anderson DOX™, Dry Expander, accepts whole or dehulled, cracked or ground soybeans through continuous feed, and mechanically works the material within its barrel. The shaft and barrel design provides the necessary shear and temperature to fully cook the soybean and liberate oil from their cells. Due to high RPM shaft speed and worm segment design, the material is quickly brought to uniform process temperature conditions. The total residence time within the barrel is less than 30 seconds with process material at maximum temperature for only a few seconds.

**Specifications:** The Anderson DOX™, Dry Expander, is normally driven by a standard foot-mounted motor through V-belt drive.

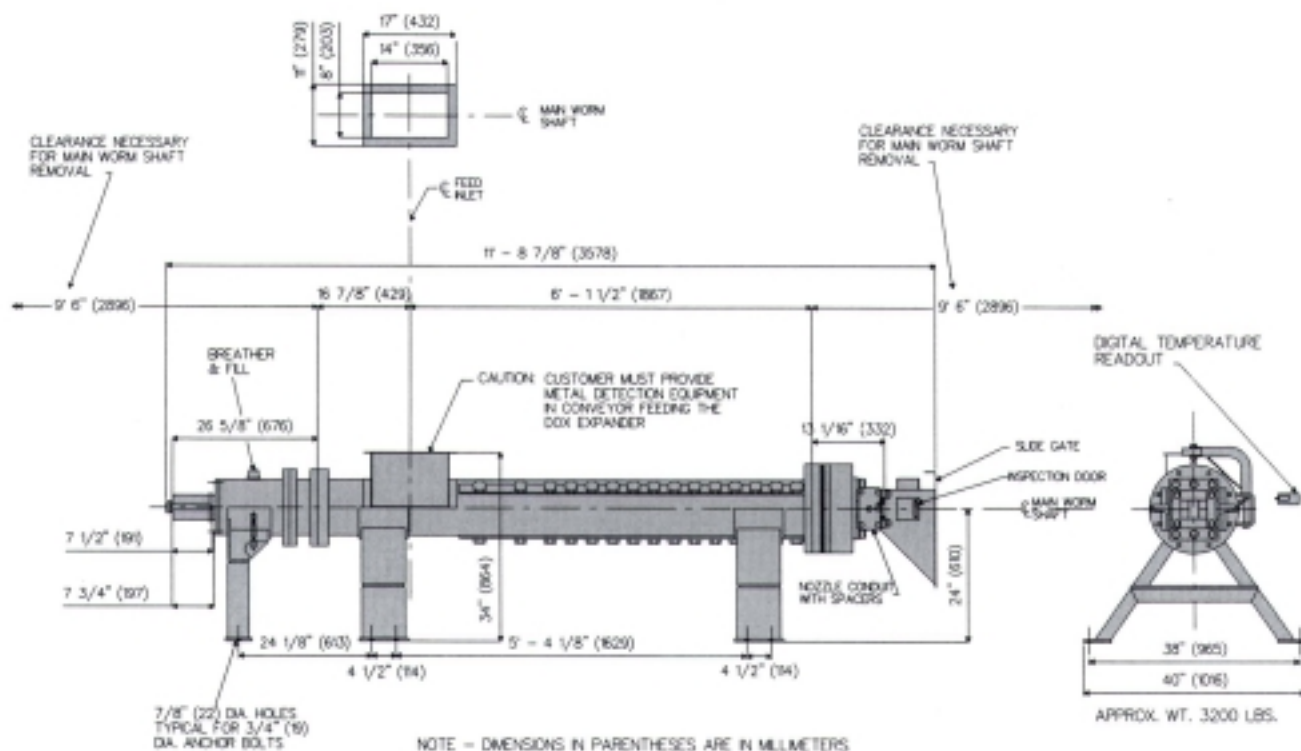
The DOX™, 8" model will accept up to 150 HP. Size of motor required will be specified upon determination of application.

The V-belt drive assembly consists of sheaves, bushings, and belts required to produce proper main shaft RPM for specified applications.

Soybean contact parts are constructed of wear resistant treated alloy steels. Special treatments are available for highly abrasive materials.

Optional hardened liners can be provided to further extend barrel life.

Our unique jaw choke for control of working shear and pressure within the expander allows easy adjustment during operation.



Anderson International Corp®, 6200 Harvard Avenue, Cleveland, Ohio 44105

Phone: (216) 641-1112 • Telex: 98-0259 • FAX: (216) 641-0709